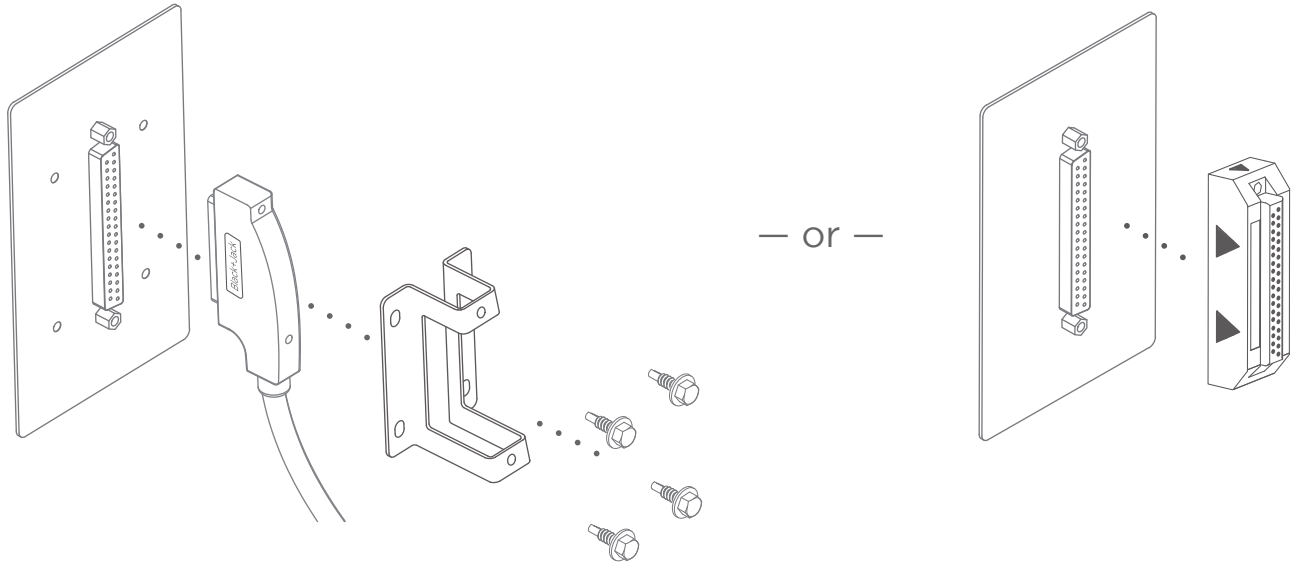


## Equipment Required

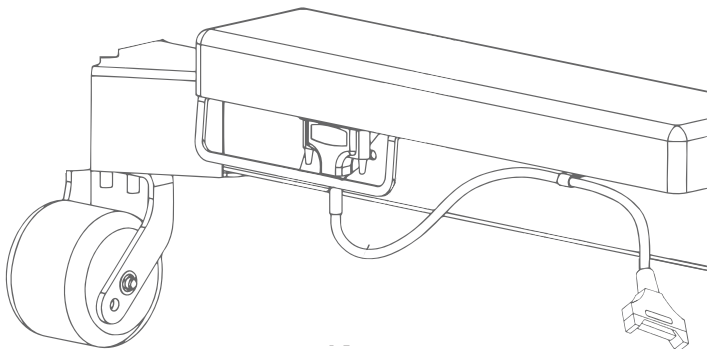
Wall side BlackJack cable or magnetic brick & bed side BlackJack cable. Phillips head & flat head screwdriver.

## Wall Side Install



Use provided thumbscrews to secure cable or magnetic brick into 37-pin port. For right-angle cables ensure the cable exits down, for a magnetic brick the arrow should be visible on top. Secure cable with a metal bracket, a P-Clamp placed ~1 foot from 37-pin port, or both.

## Bed Side Install



Use provided thumbscrews to secure cable into 37-pin port underneath or behind the bed. Create a secondary anchor to the bed frame using a P-Clamp.



Scan for  
more info &  
install help

